



Internal Use Only

<http://biz.lgservice.com>

Air Conditioner

SVC MANUAL(Exploded View)

MODEL : AUUW243E[LUU246HV]

CAUTION

Before Servicing the unit, read the safety precautions in General SVC manual.
Only for authorized service personnel.

1. Specification

Indoor Unit

Indoor Unit			APNH2433LAE
Nominal Capacity (Min~Rating~Max)	Cooling	Btu/h	24,000
	Heating	Btu/h	26,000
Nominal Input (Min~Rating~Max)	Cooling	kW	2.40
	Heating	kW	2.50
Indoor Unit			APNH2433LAE
Nominal Capacity (Min~Rating~Max)	Cooling	Btu/h	24,000
	Heating	Btu/h	26,000
Nominal Input (Min~Rating~Max)	Cooling	kW	2.50
	Heating	kW	2.55

Outdoor Unit

Indoor Unit			AUUW243E
Compressor	Type		Rotary
Refrigerant Charge	Charge*	g(oz)	2000(70.6)
	Type		R410A
Fan	Discharge	Side/Top	side
Noise Level(H/L)	Sound Press, 1m	dB(A)±3	55
Dimensions	W*H*D	mm (inch)	870*808*320(34.3*31.8*12.6)
Net Weight	Outdoor	kg(lbs)	60(132)
Piping connections	Liquid	mm (inch)	9.52 (3/8)
	Gas	mm (inch)	15.88 (5/8)
Power Supply Cable(Includes earth)		No.*AWG	No.*12
Interunit Cable(Includes earth)		No.*AWG	No.*18
Max. Piping Length/Elevation		m(ft)	50(164)/30(98)
Power Supply		Ø,V,Hz	1, 208~230, 60
Running Current	Cooling/Heating	A	10.0/10.7
Air Circulation		CMM(CFM)	58(2048)
Additional Refrigerant Charge (Over 7.5m)		g/m(oz/ft)	35(0.38)
Operation Range	Cooling	°C(°F)	-10(14) ~ 43(109.4)
	Heating	°C(°F)	-15(5) ~ 24(75.2)

Note:

- Capacities are based on the following conditions:
 Cooling: - Indoor Temperature 27°C(80.6°F) DB/19°C(66.2°F) WB
 - Outdoor Temperature 35°C(95°F) DB/24°C(75.2°F) WB
 Heating: - Indoor Temperature 20°C(68°F) DB/15°C(59°F) WB
 - Outdoor Temperature 7°C(44.6°F) DB/6°C(42.8°F) WB
 Piping Length - Interconnecting Piping Length 7.5m
 - Level Difference of Zero

- Wiring cable size must comply with the applicable local and national code.
- The specification may be subject to change without notice for purpose of improvement.

2. Function Table

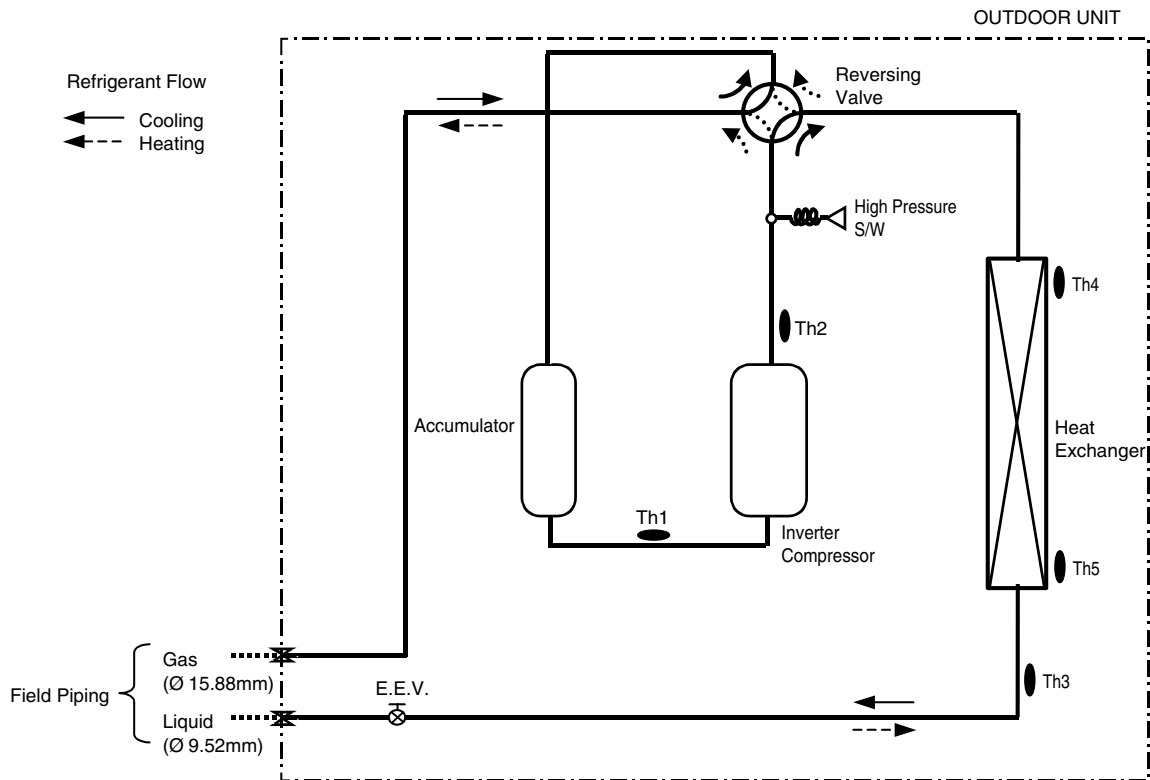
Outdoor Unit

Category	Function	AUUW243E
Reliability	Defrost / Deicing	O
	High pressure switch	O
	Low pressure switch	X
	Phase protection	X
	Restart delay (3-minutes)	O
	Self diagnosis	O
	Soft start	O
	Test function	X
Convenience	Auto operation(Artificial intelligence)	O
	Auto restart operation	O
CAC network function	Network solution(LGAP)	X
	PDI(Power Distribution Indicator)	X
	PI485	X
Special function kit	Low ambient operation	O(Program Logic)
Others	Thermistor	-

Note :

- O: Applied, • X: Not applied, • - : No relation,
- Option: Model name & price are different according to options, and assembled in factory with main unit.
- Accessory: Installed at field, ordered and purchased separately by the corresponding model name, supplied with separate package.

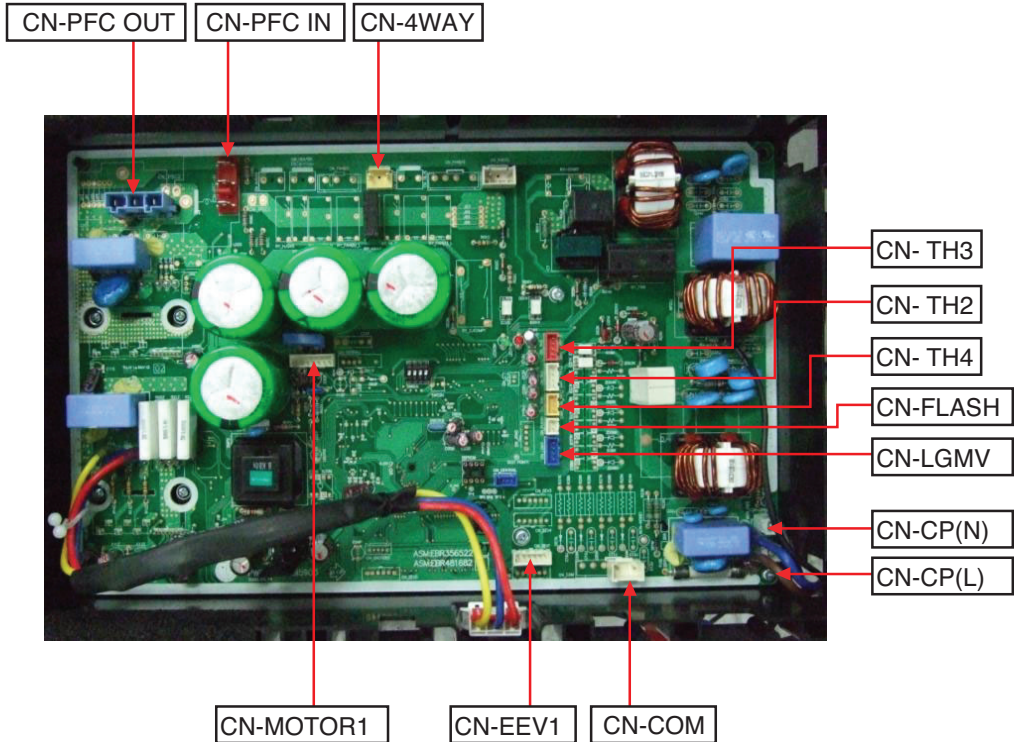
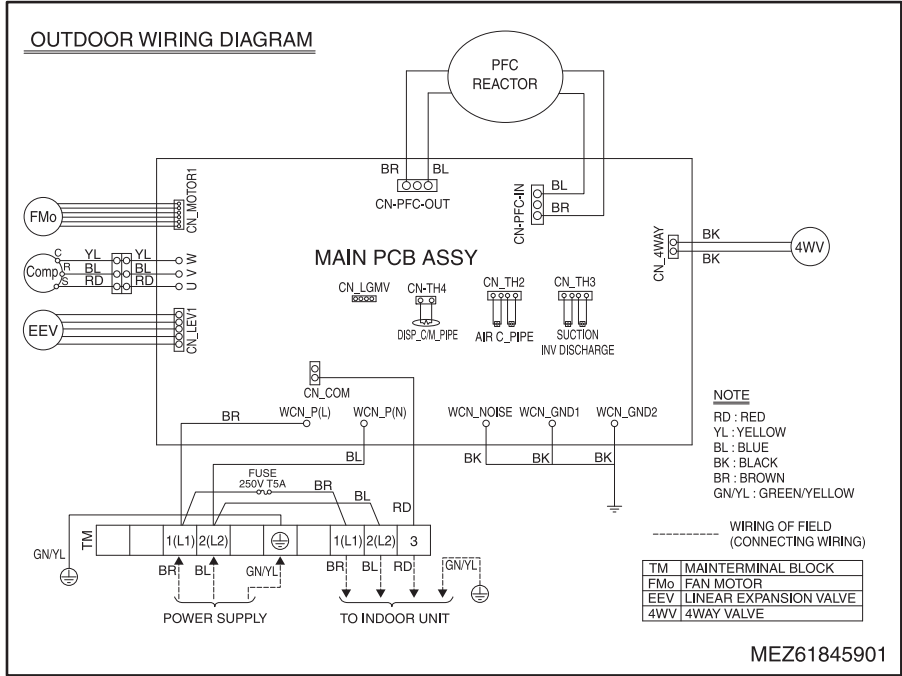
3. Piping Diagrams



LOC.	Description	PCB Connector
EEV	Electronic Expansion Valve	CN_LEV1
Th1	Thermistor for suction pipe temperature	CN_TH3
Th2	Thermistor for discharge pipe temperature	CN_TH3
Th3	Thermistor for condenser pipe temperature	CN_TH2
Th4	Thermistor for outdoor air temperature	CN_TH2
Th5	Thermistor for condenser middle pipe temperature	CN_TH4

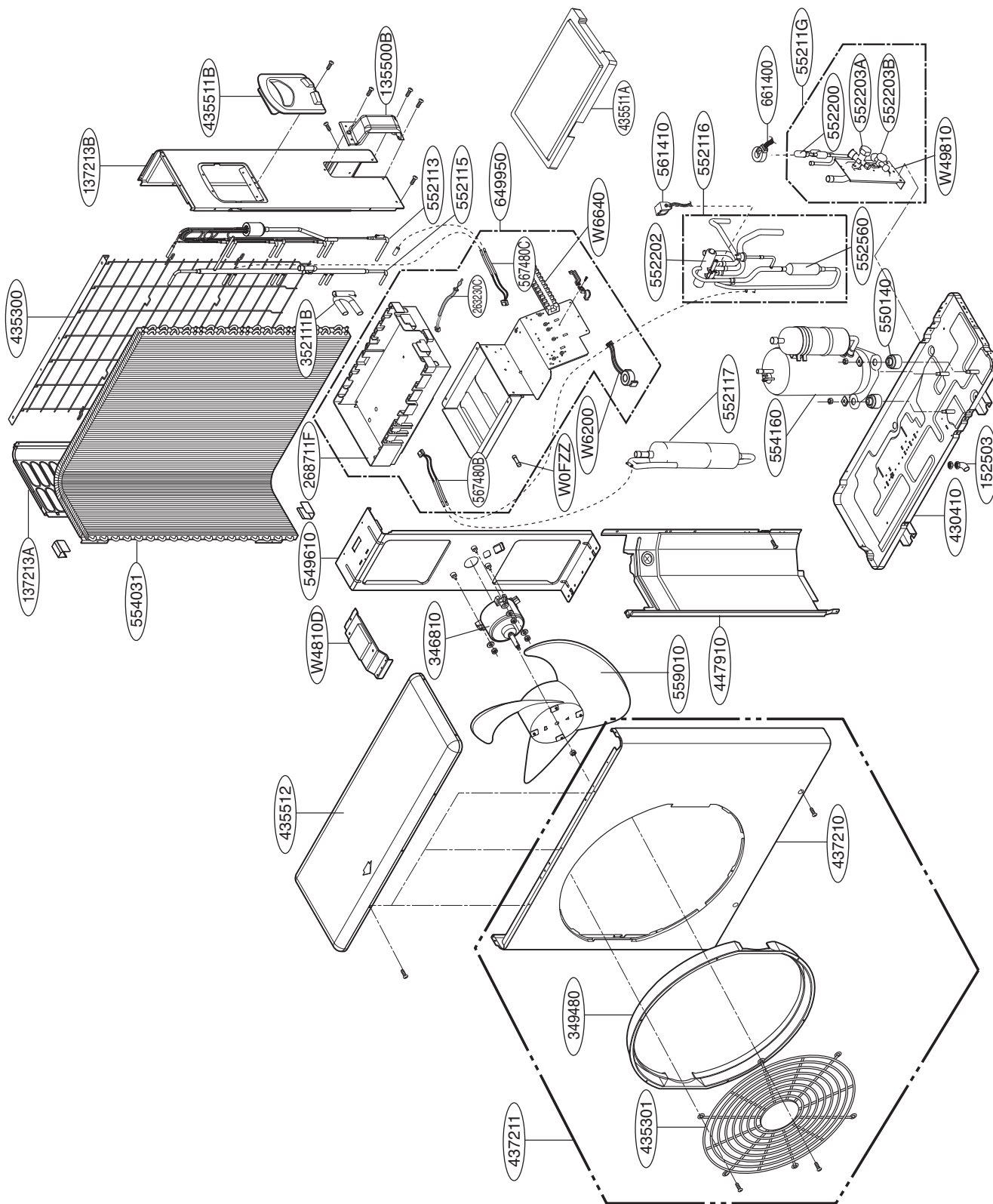
4. Wiring Diagrams

Outdoor Unit



5. Exploded View

Outdoor Unit



Note) * Please ensure GCSC since the replacement parts may be changed depending upon the buyer's request.
 Please check the correct parts in View RPL(Replacement Part List) on GCSC.
 (GCSC Website <http://biz.Lgservice.com>.)



P/NO : MFL62129314

FEBRUARY, 2010